

oben[®]
SINCE 1923
tiled shower solutions

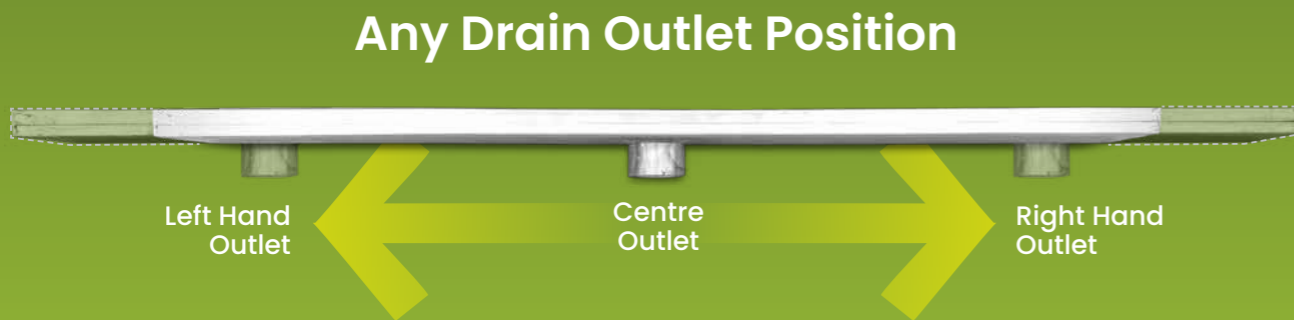
**TRADE
& DIY**

elusion[®]

Stainless Steel Shower Drains

Channel Drains | Tile-Insert





- ✓ Any Length
- ✓ Any Drain Outlet Position
- ✓ 24hr Turnaround



- MADE IN NEW ZEALAND
- RECYCLABLE
- 15 YEAR WARRANTY*

\$250

\$350

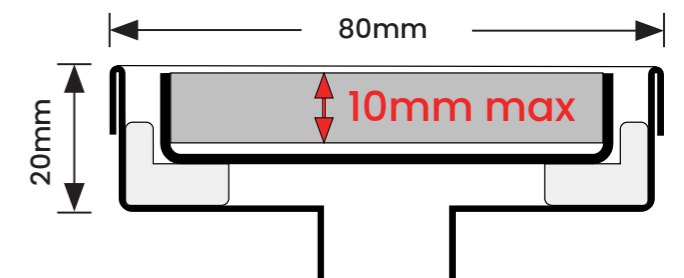
\$420

\$525

\$630



- Custom made to order drains are **Non Returnable**
- Prices indicated are for (Standard finish) in stainless steel.
- Optional powder coated finishes available at additional cost. Refer page 7 for finish colours and pricing



NEW



- ✓ Any Length
- ✓ Any Drain Outlet Position
- ✓ 24hr Turnaround



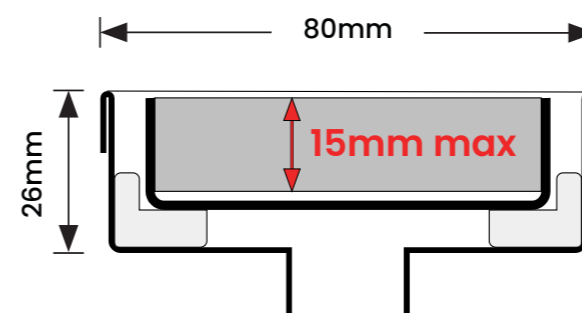
- MADE IN NEW ZEALAND
- RECYCLABLE
- 15 YEAR WARRANTY*

\$400

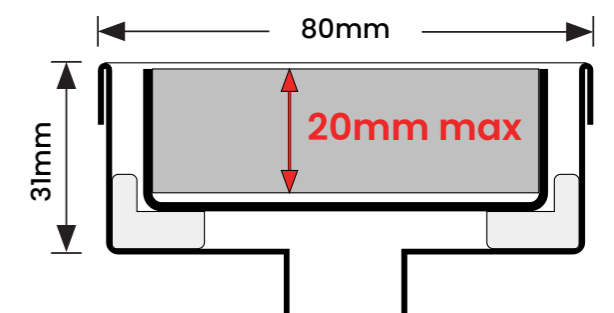
\$420

\$525

\$630



15mm Stone/Marble



20mm Stone/Marble

- Custom made to order drains are **Non Returnable**
- Prices indicated are for (Standard finish) in stainless steel.
- Optional powder coated finishes available at additional cost. Refer page 7 for finish colours and pricing

Elusion® Standard Channel Drains

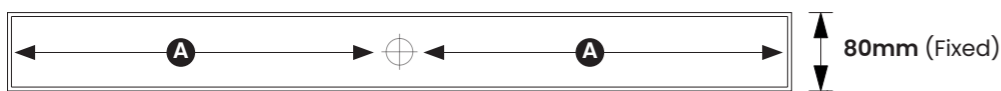
Length

- ✓ Fixed Length
- ✓ Centre Outlet
- ✓ Ex Stock

80mm
10mm tile
20mm

24 hrs
FREE DELIVERY (Nationwide)

\$200	300
\$240	800
\$255	850
\$270	900
\$285	950
\$300	1000
\$360	1200



LENGTH	OUTLET A	FINISH	MAX TILE
300	150	Stainless	10mm
800	400	Stainless	10mm
850	425	Stainless	10mm
900	450	Stainless	10mm
950	475	Stainless	10mm
1000	500	Stainless	10mm
1200	600	Stainless	10mm

- MADE IN NEW ZEALAND
- RECYCLABLE
- 15 YEAR WARRANTY*

Prices indicated are for (Standard finish) in stainless steel. Optional powder coated finishes available at additional cost.
Refer page 7 for finish colours and pricing.
No order form required for standard channel

Elusion® Channel Drains Finishes

Stainless Steel
(Standard)

Powder Coated Finishes
Optional Extra

NEW
Brass
Add \$140

Gun Metal
Add \$130

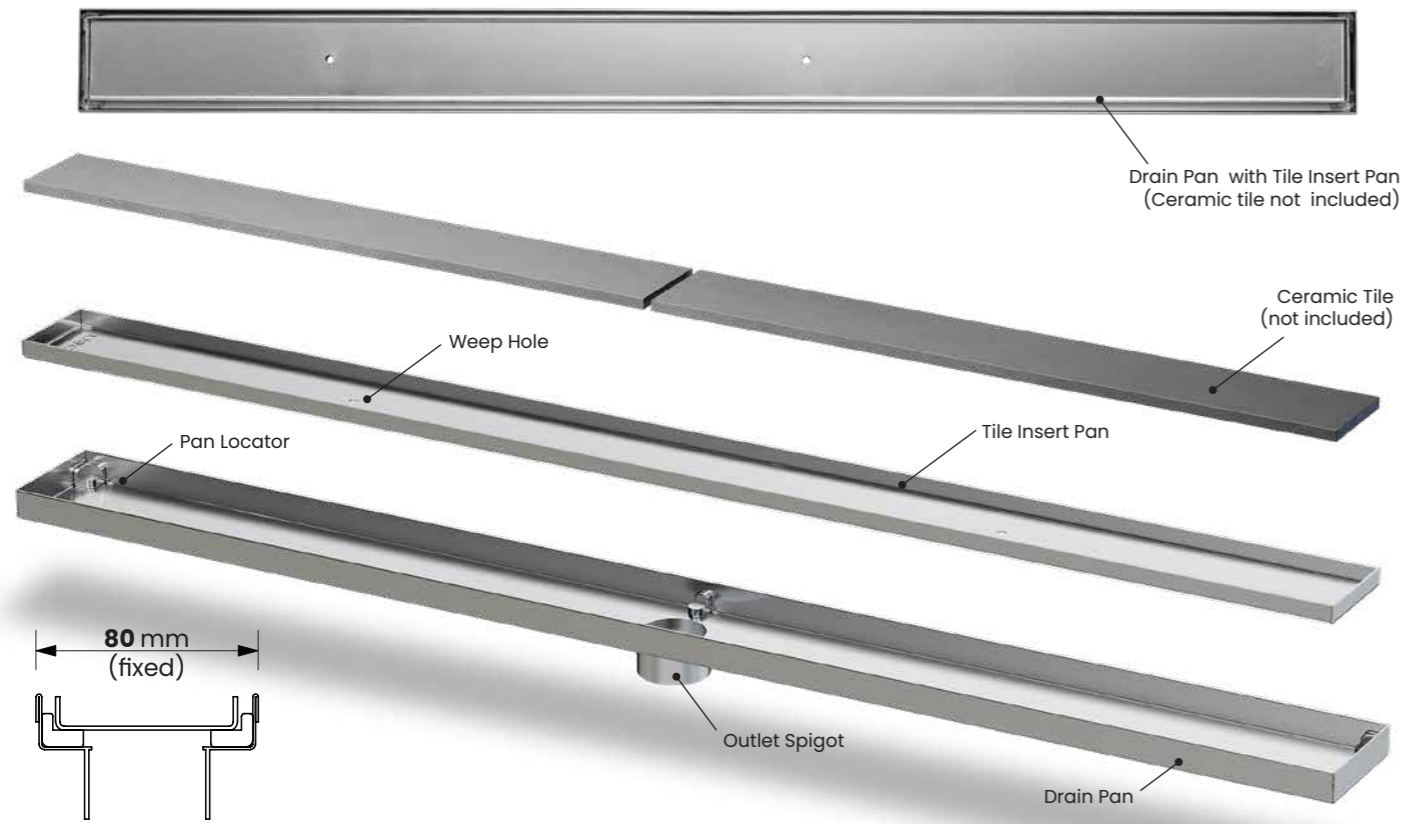
Matt Black
Add \$120

White
Add \$120

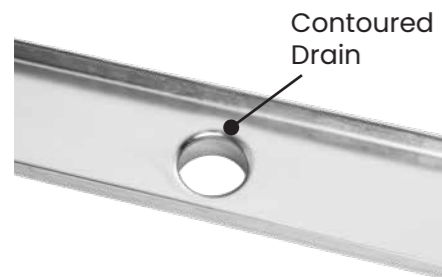
***Warranty**
Stainless Steel Channel Drains - 15 year
Powder coated finishes - 1 year

Powder coated finishes
Allow additional 5 working days for powder coated finishes, ex-factory

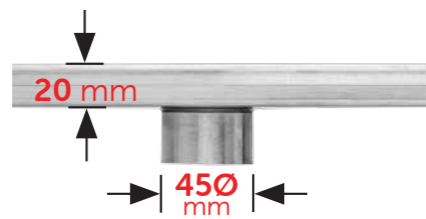
Elusion® Channel Drains



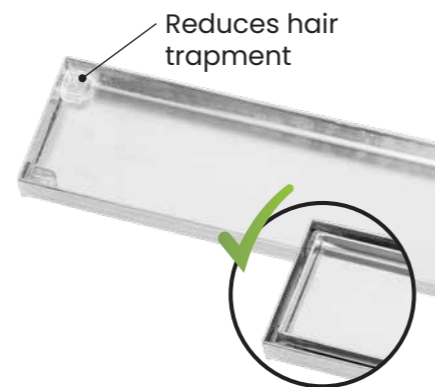
EASY CLEAN



ULTRA LOW PROFILE



MOULDED PAN SUPPORT



PVC DRAINS AND FLANGES

Elusion® J Gully Trap (Set)
80 x 50 includes LM Flange



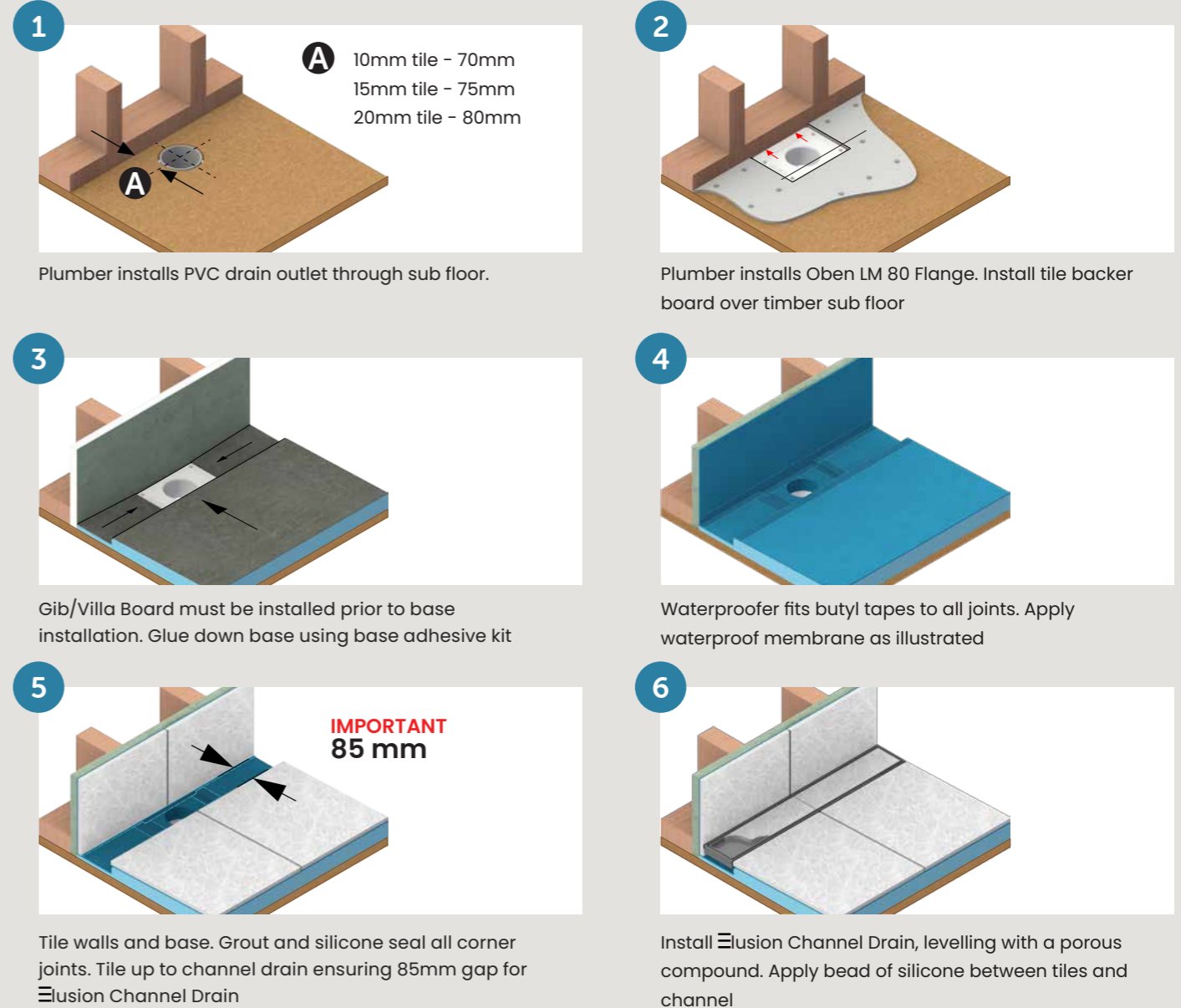
\$150

Elusion® LM Flange
PVC 80mm Outlet

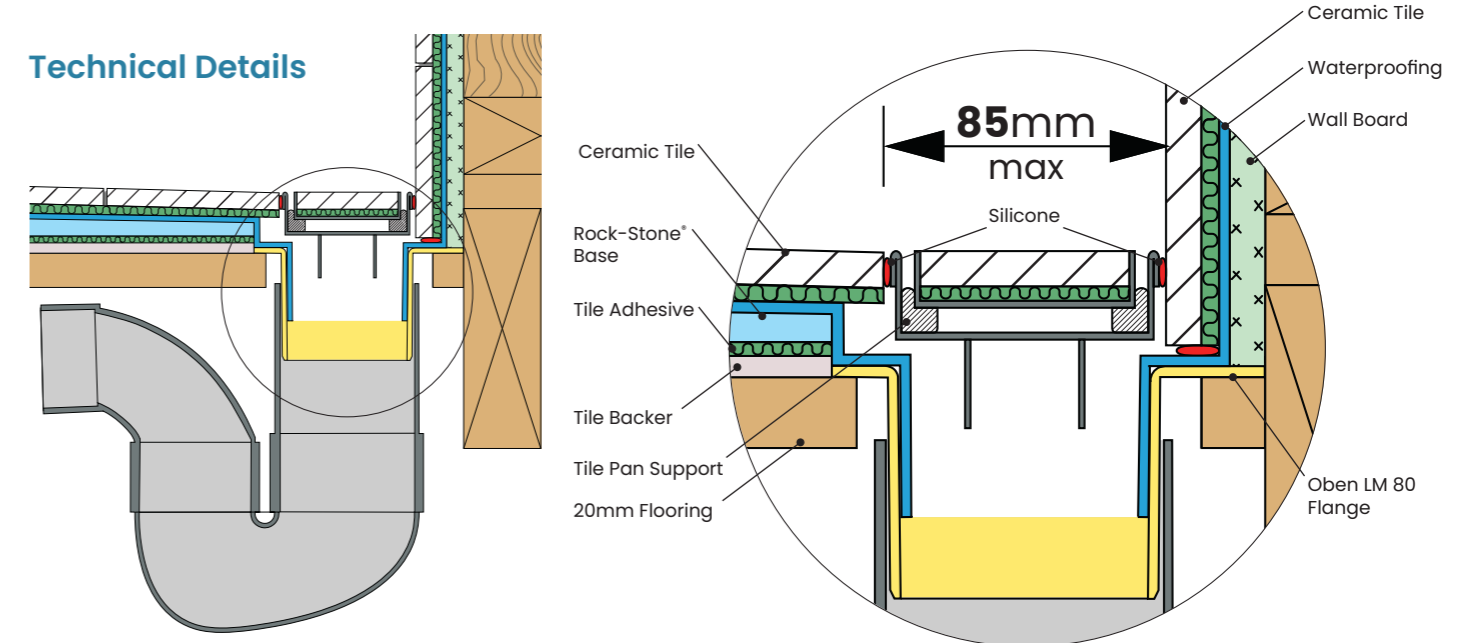


\$40

Elusion® Channel Drains Installation



Technical Details



Delivery Nationwide

- Rock-Stone® Base
- Rock-Stone® Niches
- PVC Shower Drains
- Channel Drains
- Excludes Frameless Glass showers (Auckland Region only)



THE BEST GUARANTEE OF ALL

For over 100 years Oben's founders have set their own benchmark of excellence through innovative design, quality products and a passion for service that continues long after purchase.

All Oben products are made from the highest-quality materials and assembled only by trained craftsmen. Superior design and function are matched by a level of robustness and durability that is, ultimately, **the best guarantee** of all.



CALL **obened**

T: 09 44 33 879

E: sales@oben.co.nz

www.oben.co.nz

obened
SINCE 1923
tiled shower solutions

Elusion® Channel Drain Custom Order Form

Only available as tile insert model

STEP 1 Select Channel Tile Thickness Please tick

Ceramic Tile	Natural Stone	Natural Stone
Up to 10mm	Up to 15mm	Up to 20mm

STEP 2 Select Drain Pan Length Please tick

Length tolerance +/- 2mm

IMPORTANT Drain length specified in box will be length supplied

STEP 3 Select Drain Outlet Position Please tick

Left Hand Outlet	Centre Outlet (exact centre)	Right Hand Outlet
mm	mm	mm

Please tick

If Offset Outlet Required Please tick

(From back wall to centre of outlet)

STEP 4 Select Drain Finish Please tick

<input type="checkbox"/> Stainless Steel (Standard)	<input checked="" type="checkbox"/>
<input type="checkbox"/> Brass	
<input type="checkbox"/> Gun Metal	
<input type="checkbox"/> Matt Black	
<input type="checkbox"/> White	<input type="checkbox"/> Other

Please tick

Elusion PVC J Gully 80x50 + LM Flange Please tick

(Sold Separately)

Made to Order Drains are Non-Returnable

Name: _____

Street Address (no PO boxes): _____

Phone: _____

Email: _____

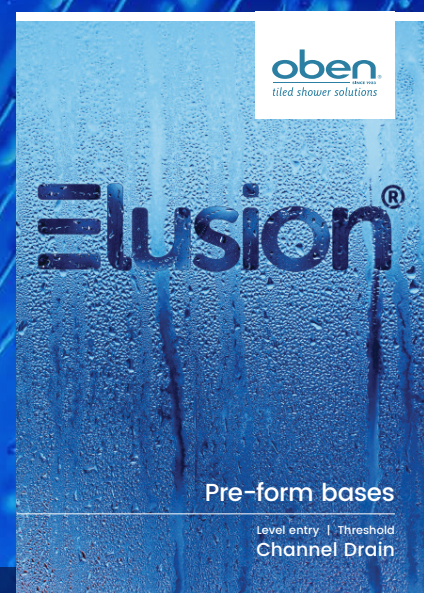
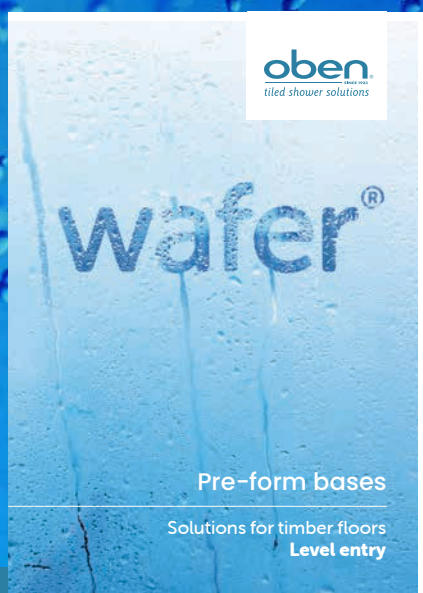
City/Town: _____

Signature: _____

Postcode: _____

Fill in form, save and return by email to: sales@oben.co.nz. Oben (09) 44 33 879

More Oben brochures



Oben
10.B Parity Place
Glenfield
Auckland 0627
T: 09 44 33 879
E: sales@oben.co.nz
www.oben.co.nz

Oben reserves all rights to alter designs and specifications without notice. All dimensions given are approximate and should be checked prior to installation. Products shown in Catalogues, Order Forms and digital format are subject to Intellectual Property Protection. NZ and International Patents Pending, ® Registered Trademarks of Oben. Oben's continuous product improvement policy means some product enhancements may not be available at time of order placement due to current stock and phasing in/out of new models.

Quotations valid 30 days from date of quote. Prices subject to re quote after expiry of 30 days. Prices quoted are subject to final site measure. (Contact Oben Customer Service for further details.) Tapware & Accessories featured in photography are not included.

oben
SINCE 1923
tiled shower solutions

•Design •Quality •Service

Oben Elusion® stainless steel channel drains include free delivery nationwide. Custom 'Made to Order' channel drains are non-refundable
Prices are trade and exclude GST

© Oben Elusion® Channel Drain Brochure 2023